

Fascia Mounted PUP End Post Detail

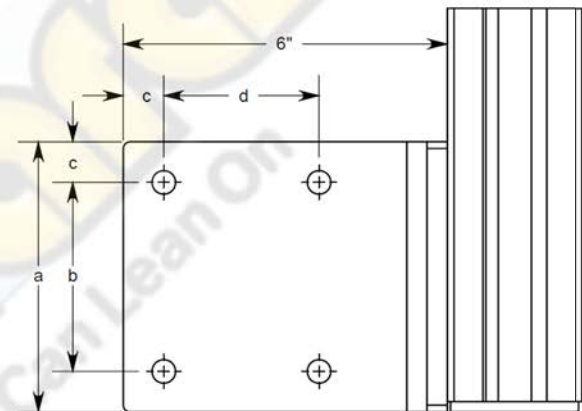
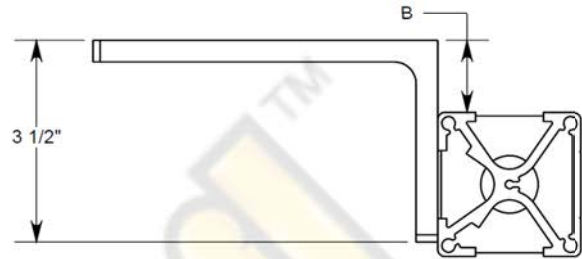
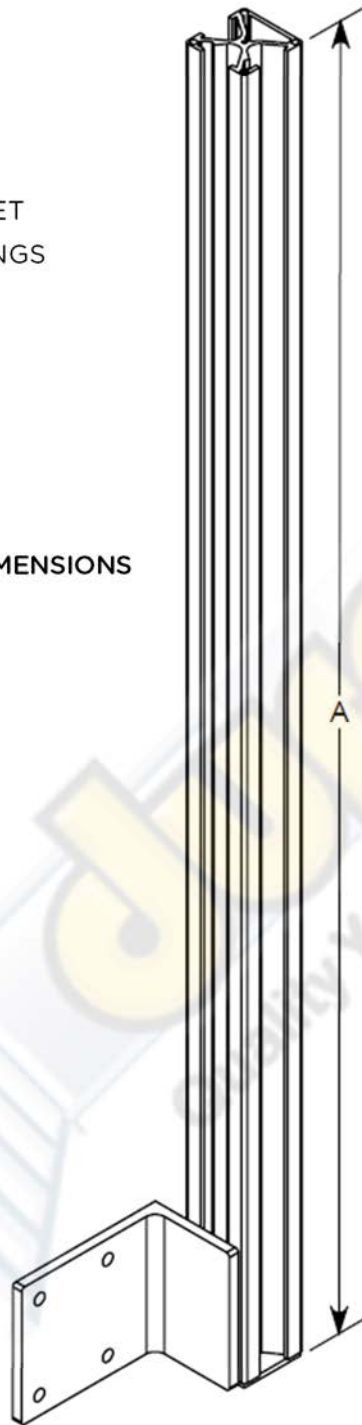
SEE FASTENER SHEET
FOR FASTENER LISTINGS

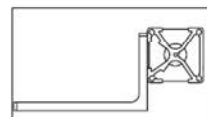
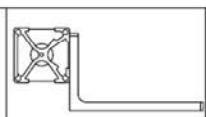
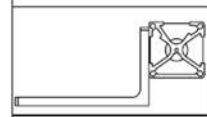
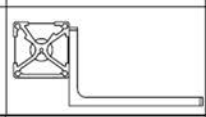
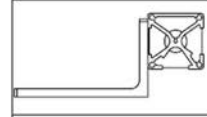
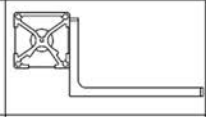
POST DIMENSIONS

A. 48"

FASCIA BASE PLATE DIMENSIONS

- a. 5"
- b. 3 1/2"
- c. 3/4"
- d. 2 7/8"



		STANDARD
		CUSTOM INSIDE
		CUSTOM OUTSIDE
LEFT	RIGHT	