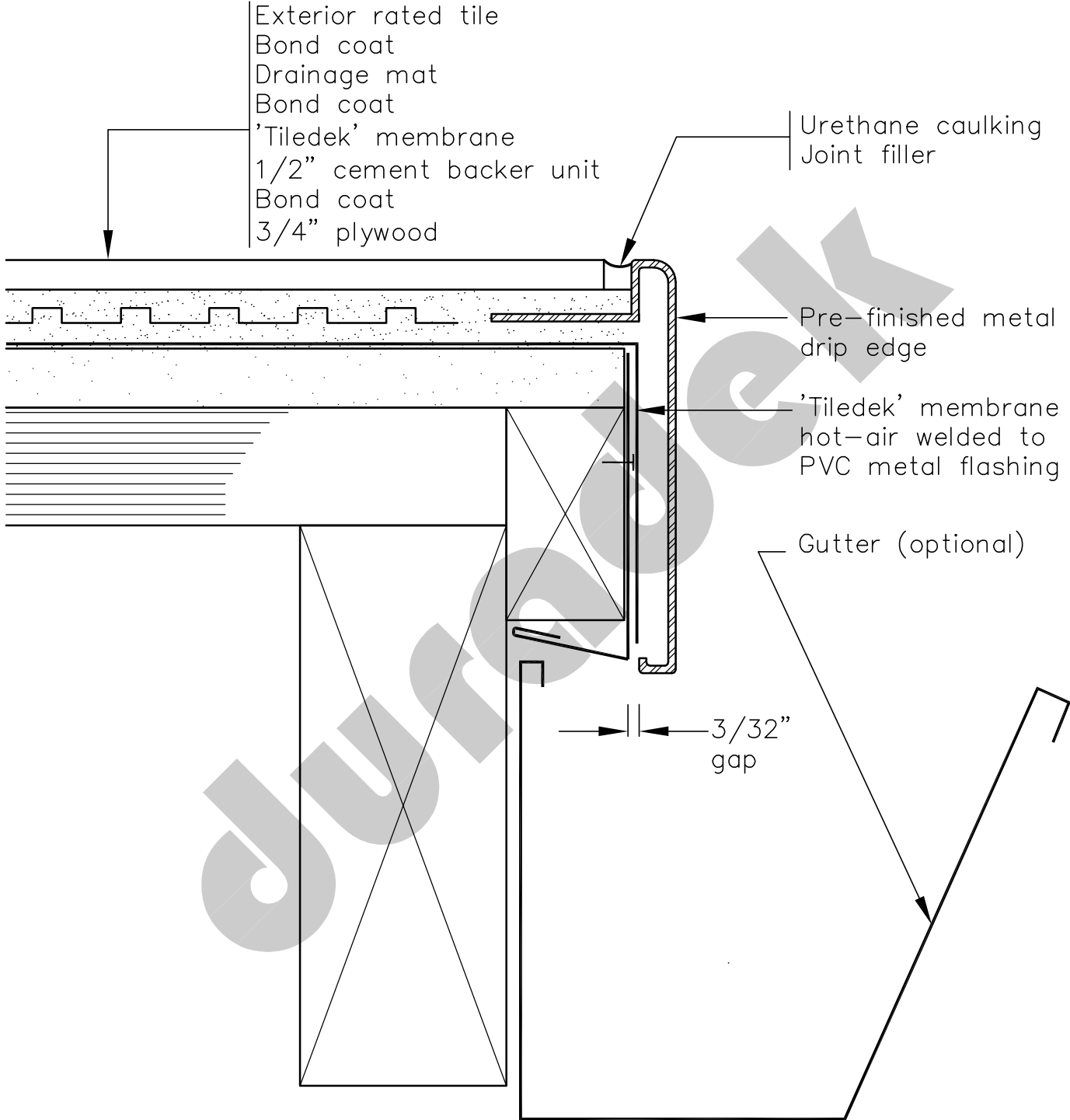


PRE-FINISHED METAL DRIP EDGE: FOR ASSEMBLIES WITH DRAINAGE MAT



NOTE:

AS A SUPPLIER OF FINISHED PRODUCT ONLY, DURADEK LTD. DOES NOT ASSUME RESPONSIBILITY FOR ERRORS IN DESIGN, ENGINEERING, OR DIMENSIONS. THE ARCHITECT, ENGINEER, SPECIFIER, CONTRACTOR OR OWNERS' REPRESENTATIVE MUST VERIFY ALL DIMENSIONS, SIZES & SUITABILITY OF DETAILS.

DURADEK LTD.

CANADA
UNITED STATES

Bus: (604) 591-5594
Bus: (816) 421-5830

Fax: (604) 591-3100
Fax: (816) 421-2924

SYSTEM:
TILEDEK SYSTEM

DATE: **14/07/09**
REV. DATE: **22/11/10**

DRAWING No.:
OS-5T

