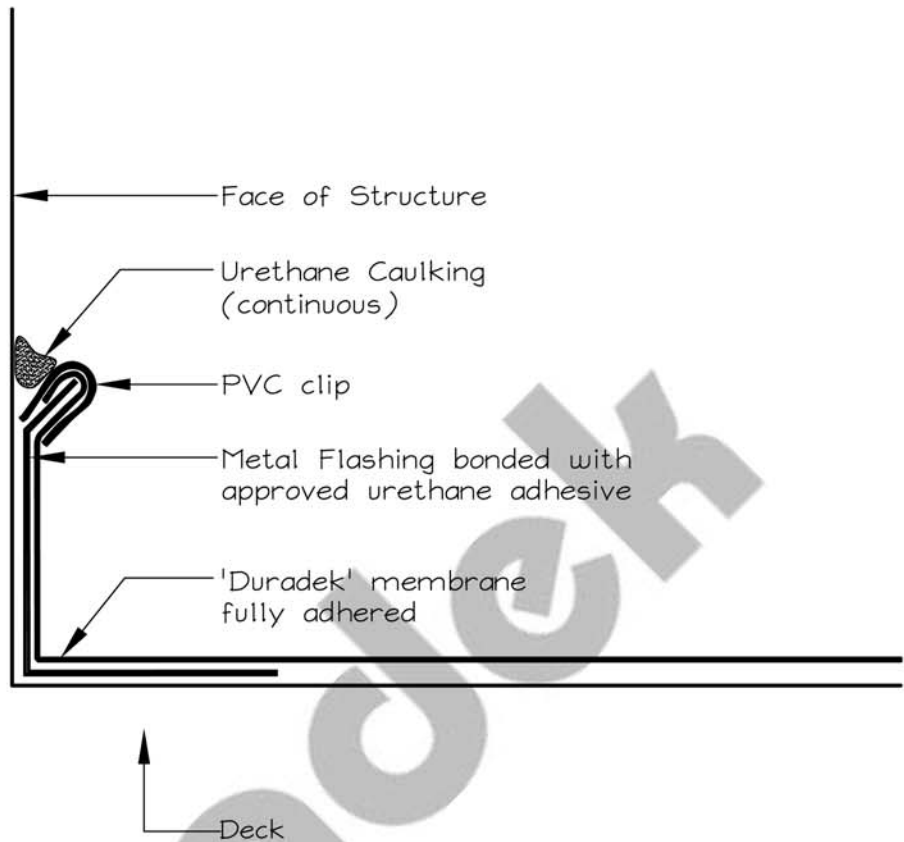


NON- HABITABLE DETAIL- GUM POCKET FLASHING



NOTE:

For use on surfaces over NON-HABITABLE SPACE ONLY: Duradek designates "Non-habitable space" as an area not over a living area or other areas, which are not governed by the local Building Codes (i.e.: sun decks, patios, etc.). A NON-HABITABLE DETAIL could be considered for applications where the detail does not contribute to water migration into the building envelope and has no consequential damaging effect to the building or deck support structure. Duradek recommends the use of 'ALL ASSEMBLIES' details for all installation of Duradek Waterproofing Membranes. These roofing details are sound and time proven. If the owner or his representative decides to use details designated as "NON-HABITABLE" because of aesthetics, practicality, cost or other project specific considerations, Duradek forgoes all responsibility for use of the detail.

NOTE:

AS A SUPPLIER OF FINISHED PRODUCT ONLY, DURADEK LTD. DOES NOT ASSUME RESPONSIBILITY FOR ERRORS IN DESIGN, ENGINEERING, OR DIMENSIONS. THE ARCHITECT, ENGINEER, SPECIFIER, CONTRACTOR OR OWNERS' REPRESENTATIVE MUST VERIFY ALL DIMENSIONS, SIZES & SUITABILITY OF DETAILS.

DURADEK LTD.

CANADA
UNITED STATES

Bus: (604) 591-5594
Bus: (816) 421-5830

Fax: (604) 591-3100
Fax: (816) 421-2924

SYSTEM:
OVER NON-HABITABLE AREAS

DATE: **31/08/04**
REV. DATE:

DRAWING No.:
NH-02

