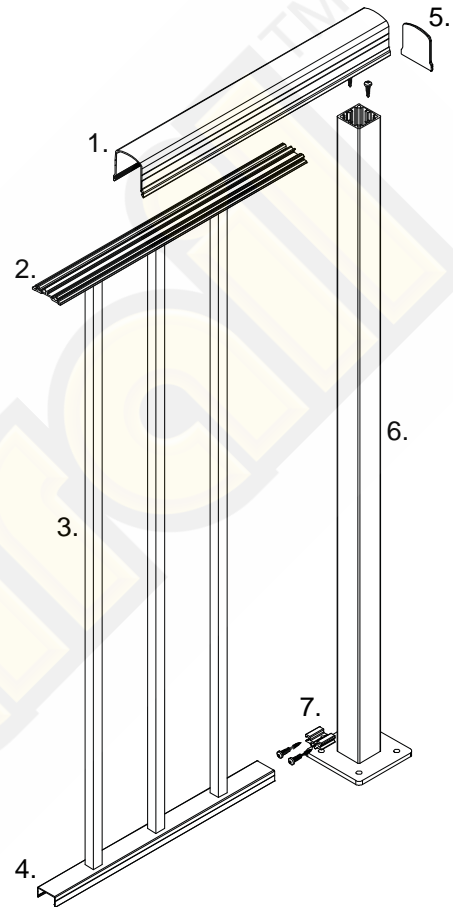
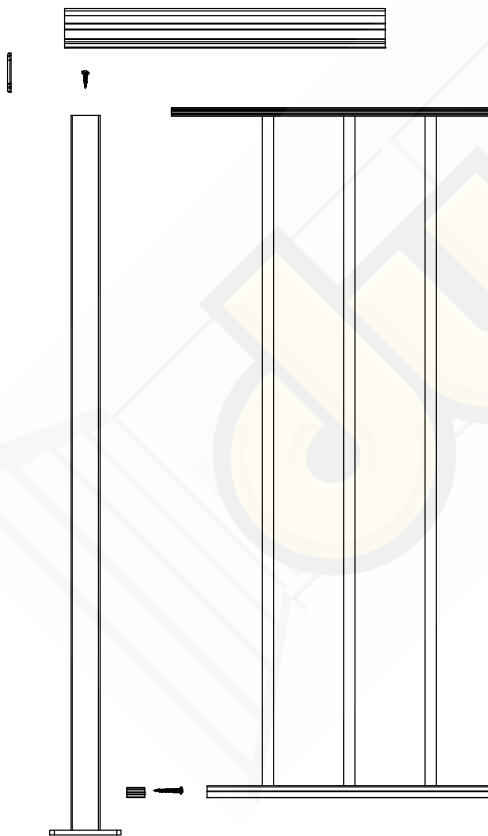




End Post with Continuous Top Rail and End Cap Detail - Welded Picket

SEE FASTENER SHEET
FOR FASTENER LISTINGS



BILL OF MATERIALS

1. Top Rail (Square or Round)
2. Welded Picket Receiver Channel
3. Picket Material (Welded to 2 & 4)
4. Welded Picket Bottom Rail
5. Top Rail End Cap
6. Post (2" or Less)
7. (a) Receiver Clip OR (b) Bottom Wall Mount

WWW.DURARAIL.COM