

Fascia Mounted PUP End Post Detail

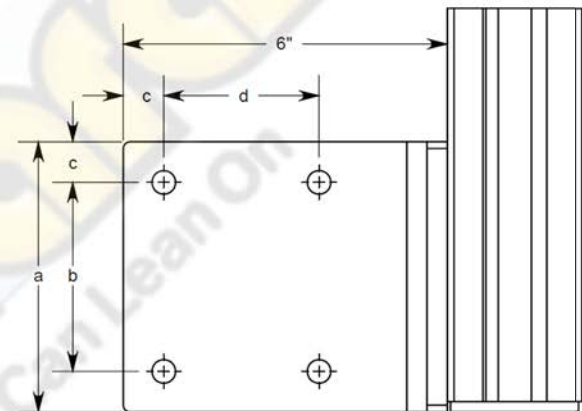
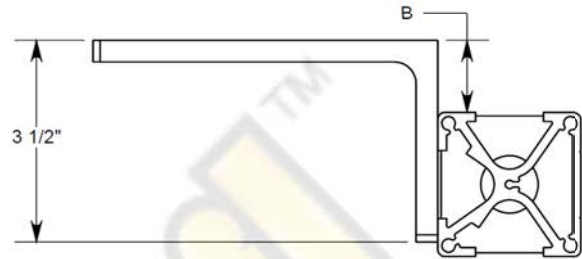
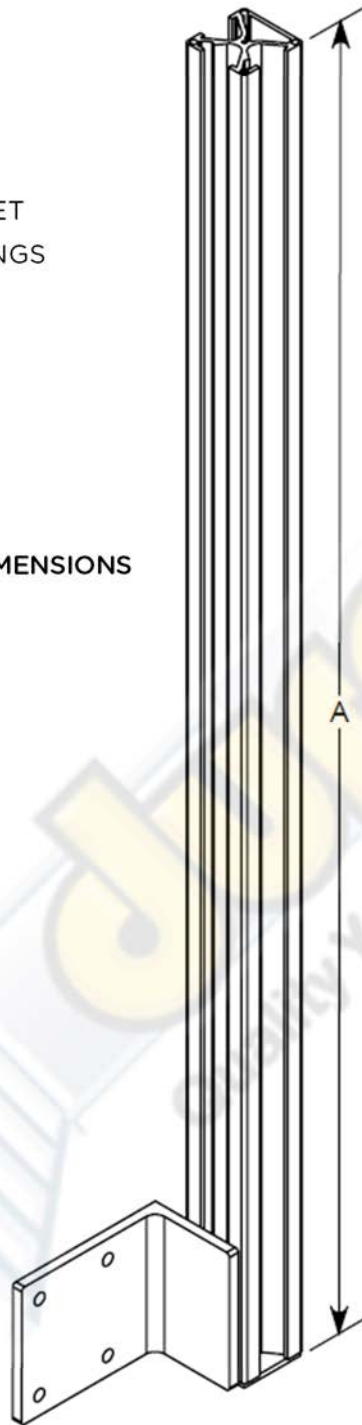
SEE FASTENER SHEET
FOR FASTENER LISTINGS

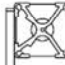




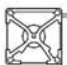
POST DIMENSIONS

A. 48"

FASCIA BASE PLATE DIMENSIONS

- a. 5"
- b. 3 1/2"
- c. 3/4"
- d. 2 7/8"



			STANDARD
			CUSTOM INSIDE
			CUSTOM OUTSIDE
LEFT		RIGHT	

Fascia Mounted Inline PUP Post Detail

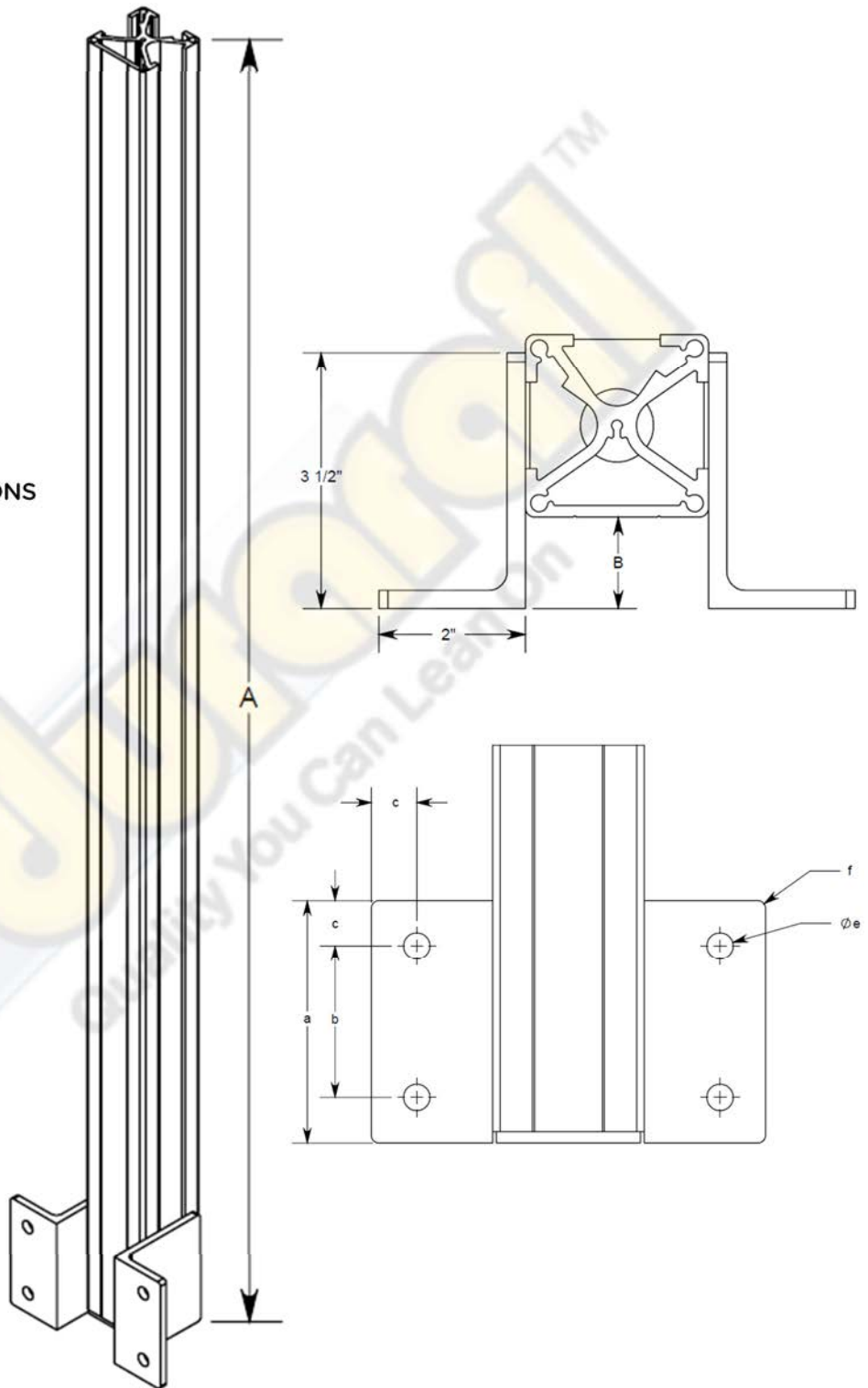
SEE FASTENER SHEET
FOR FASTENER LISTINGS

POST DIMENSIONS

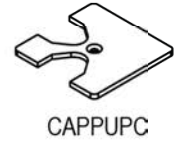
- A. 48"
- B. 1 1/4"

FASCIA BASE PLATE DIMENSIONS

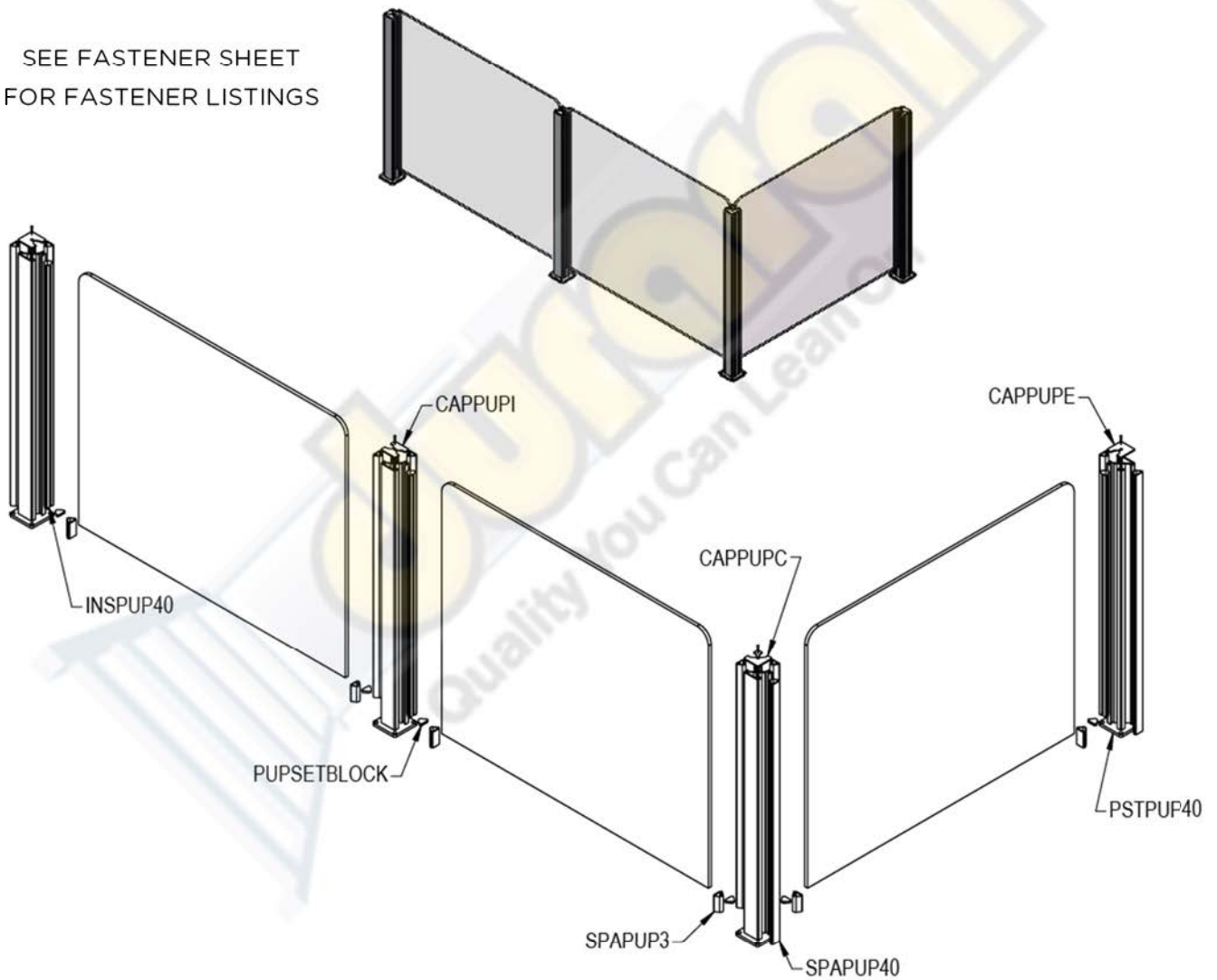
- a. 5"
- b. 3 1/2"
- c. 3/4"
- d. -
- e. $\varnothing 7/16"$
- f. R1/4"



Surface Mounted PUP Assembly



SEE FASTENER SHEET
FOR FASTENER LISTINGS



Surface Mounted PUP Post Installation Process

SEE FASTENER SHEET
FOR FASTENER LISTINGS

6. CAPFPUP

Install pressure fitted cap

Top of Post

5. Glass

Insert glass with 3/4" (Max.) embed

BILL OF MATERIALS

1. Base Plate
2. Spacer
3. Setting Block
4. Glass Insert
5. Tempered Glass
6. Pressure Fitted Post Cap

4. Glass Insert

Slide in from top of post

3. Setting Block

Insert from top of post or
from face of opening at an angle

2. Spacer

Slide in from top of post

1. Baseplate

Attach 4" x 4" x 3/8" Baseplate
to structure

Setting level of glass