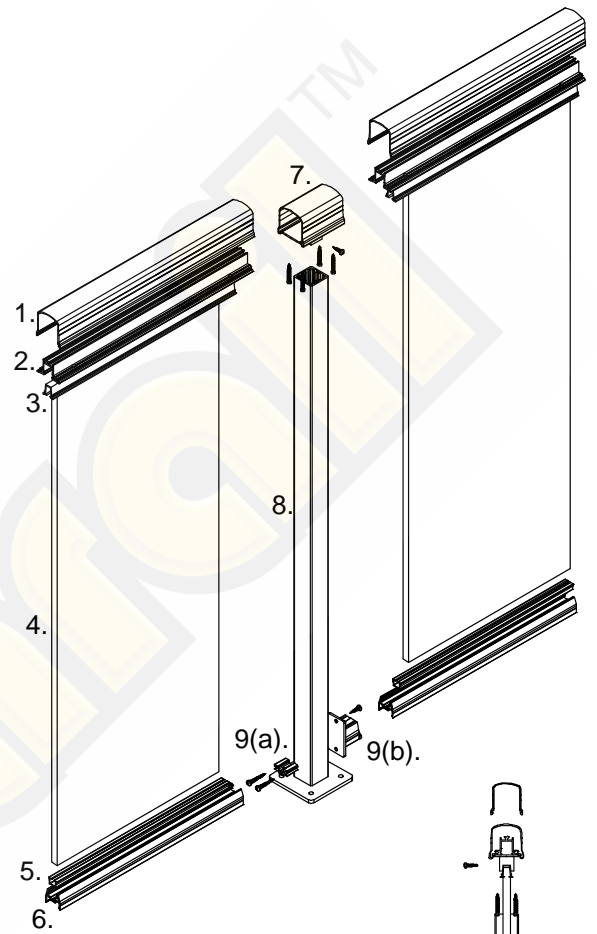
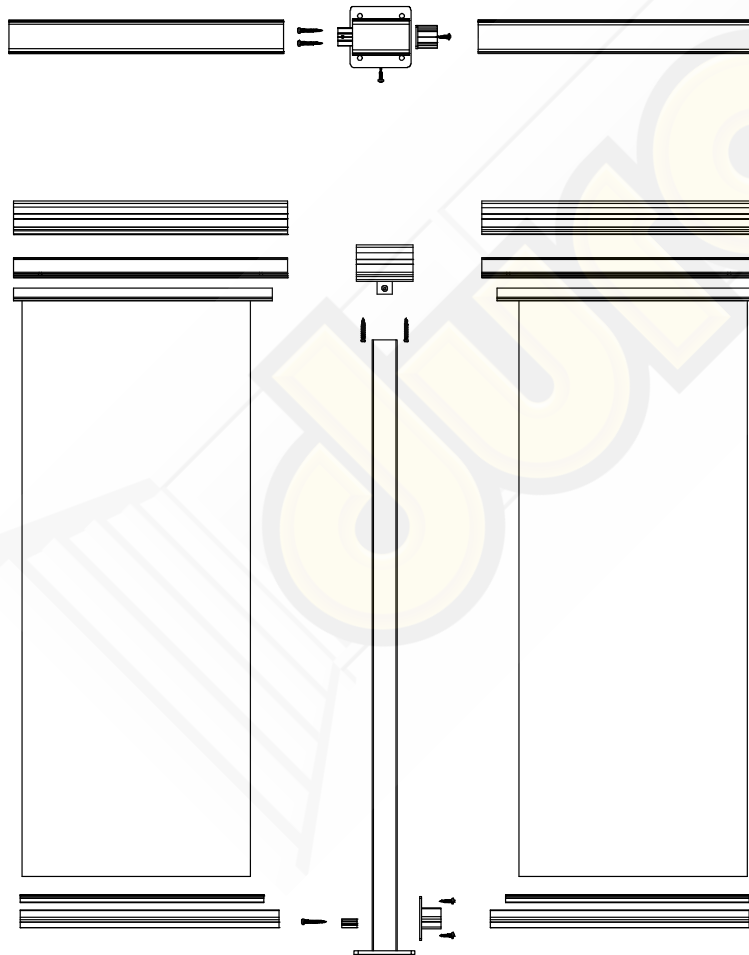




Center Post with Continuous Top Rail Detail - Component Glass

BILL OF MATERIALS

1. Top Rail (Square or Round)
2. Component Receiver Channel
3. Top Glass Insert
4. Tempered Glass (6mm / 1/4")
5. Bottom Glass Insert
6. Component Bottom Rail
7. 180° Top Sleeve
8. Post (2" or Less)
9. (a) Receiver Clip OR (b) Bottom Wall Mount



SEE FASTENER SHEET
FOR FASTENER LISTINGS

WWW.DURARAIL.COM