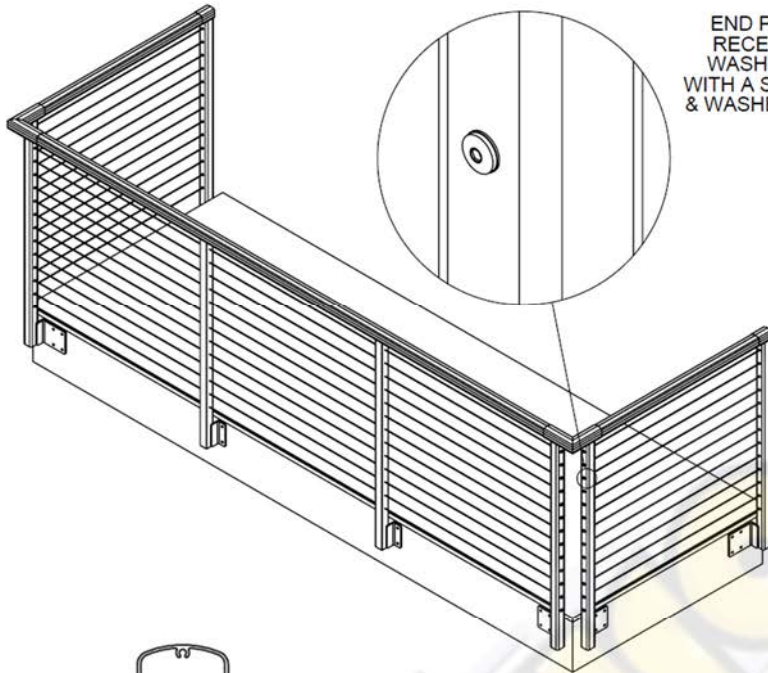


Fascia Mounted Cable Railing Assembly

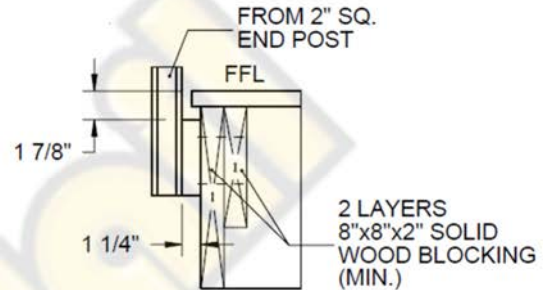
36" RAIL HEIGHT = 10 LINES

42" RAIL HEIGHT = 12 LINES

SEE FASTENER SHEET
FOR FASTENER LISTINGS



END POSTS TO HAVE
RECEIVER FITTING &
WASHER AT ONE END
WITH A STOP-END FITTING
& WASHER AT THE OTHER



**FASCIA POST
CONNECTION DETAIL**



**EXCELL SQUARE
WELDED PICKET
TOP RAIL**

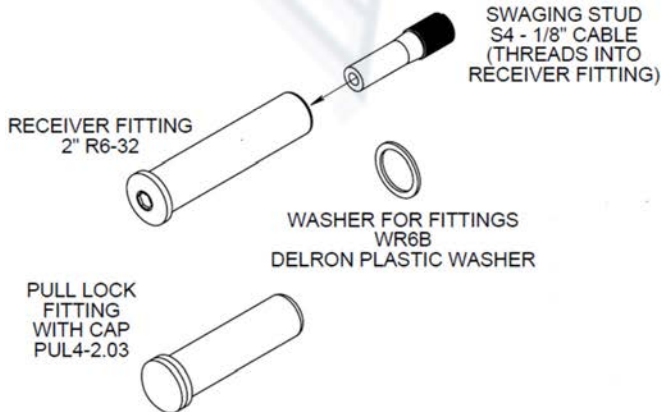
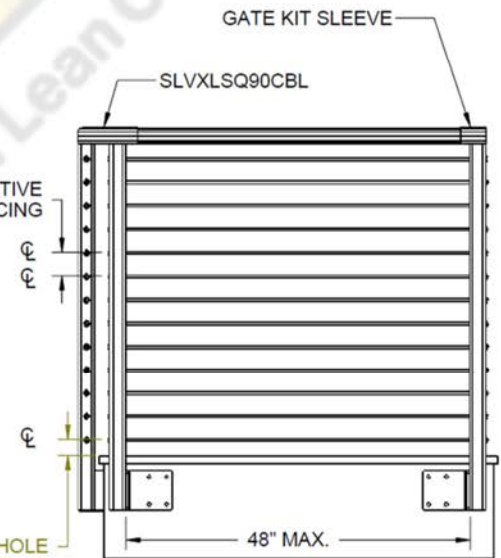


1.72" INLINE POST WITH
2"x2"x3/8" ANGLE x5"H
BASE PLATE (AT BOTH SIDES)



2"x2"x3/16" END POST WITH
2"x6"x3/8" ANGLE x5"H
BASE PLATE

3 1/8" CONSECUTIVE
DRILL HOLE SPACING



	CABLE SIZE	DRILL HOLE SIZE
INLINE	Ø 1/8"	Ø 1/4"
TENSION	Ø 1/8"	Ø 15/32"
	13	1
	14	4
	15	6

Surface Mounted Cable Railing Assembly

SEE FASTENER SHEET
FOR FASTENER LISTINGS

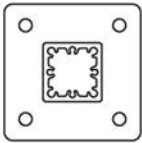
36" RAIL HEIGHT = 10 LINES
42" RAIL HEIGHT = 12 LINES

END POST TO HAVE 15/32" DRILL HOLE SIZE
FOR CABLE FITTINGS

INLINE POST DRILL HOLE SIZE FOR
CABLES TO BE DETERMINED BY CABLE SIZE
(SEE TABLE FOR SIZES)



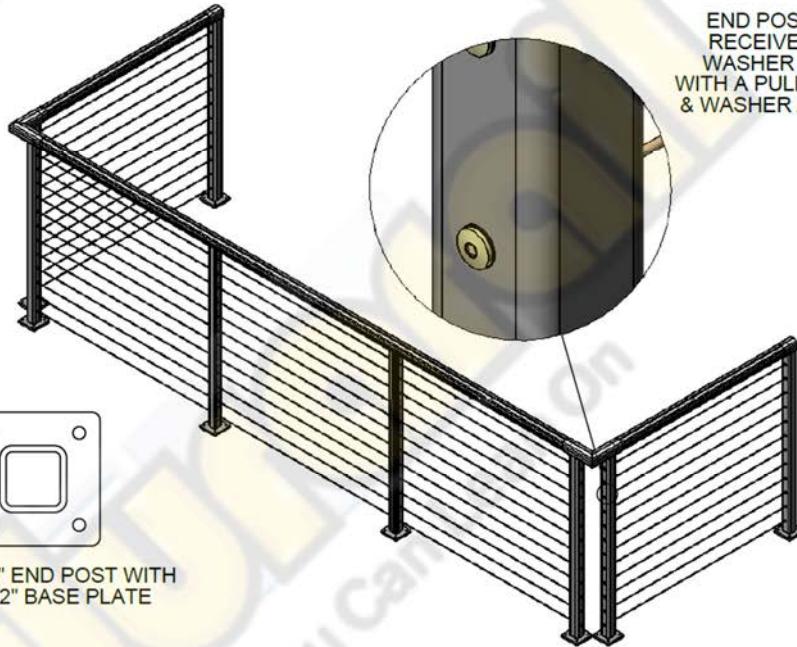
EXCELL SQUARE
WELDED PICKET
TOP RAIL



1.72" INLINE POST WITH
4"x4"x3/8" BASE PLATE



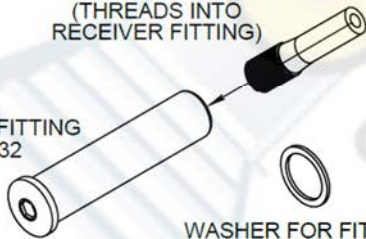
2"x2"x3/16" END POST WITH
4"x4"x1/2" BASE PLATE



END POSTS TO HAVE
RECEIVER FITTING &
WASHER AT ONE END
WITH A PULL LOCK FITTING
& WASHER AT THE OTHER

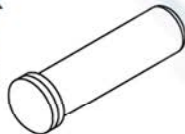
SWAGING STUD
S4 - 1/8" CABLE
(THREADS INTO
RECEIVER FITTING)

RECEIVER FITTING
2" R6-32

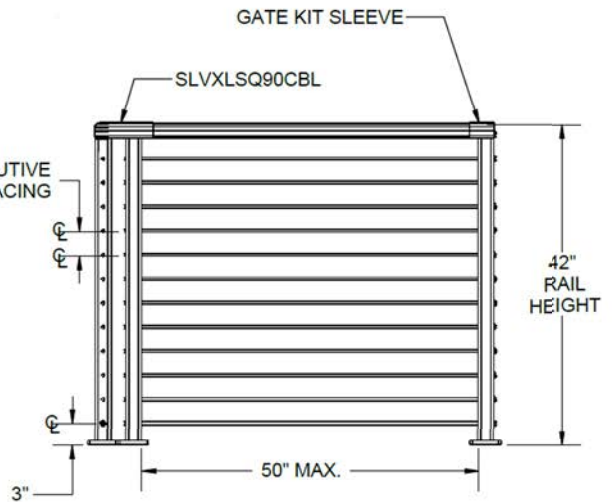


WASHER FOR FITTINGS
WR6B
DELRON PLASTIC WASHER

PULL LOCK
FITTING
WITH CAP
PUL4-2.03



3 1/8" CONSECUTIVE
DRILL HOLE SPACING



	CABLE SIZE	DRILL HOLE SIZE
INLINE	Ø 1/8"	Ø 1/4"
TENSION	Ø 1/8"	Ø 15/32"