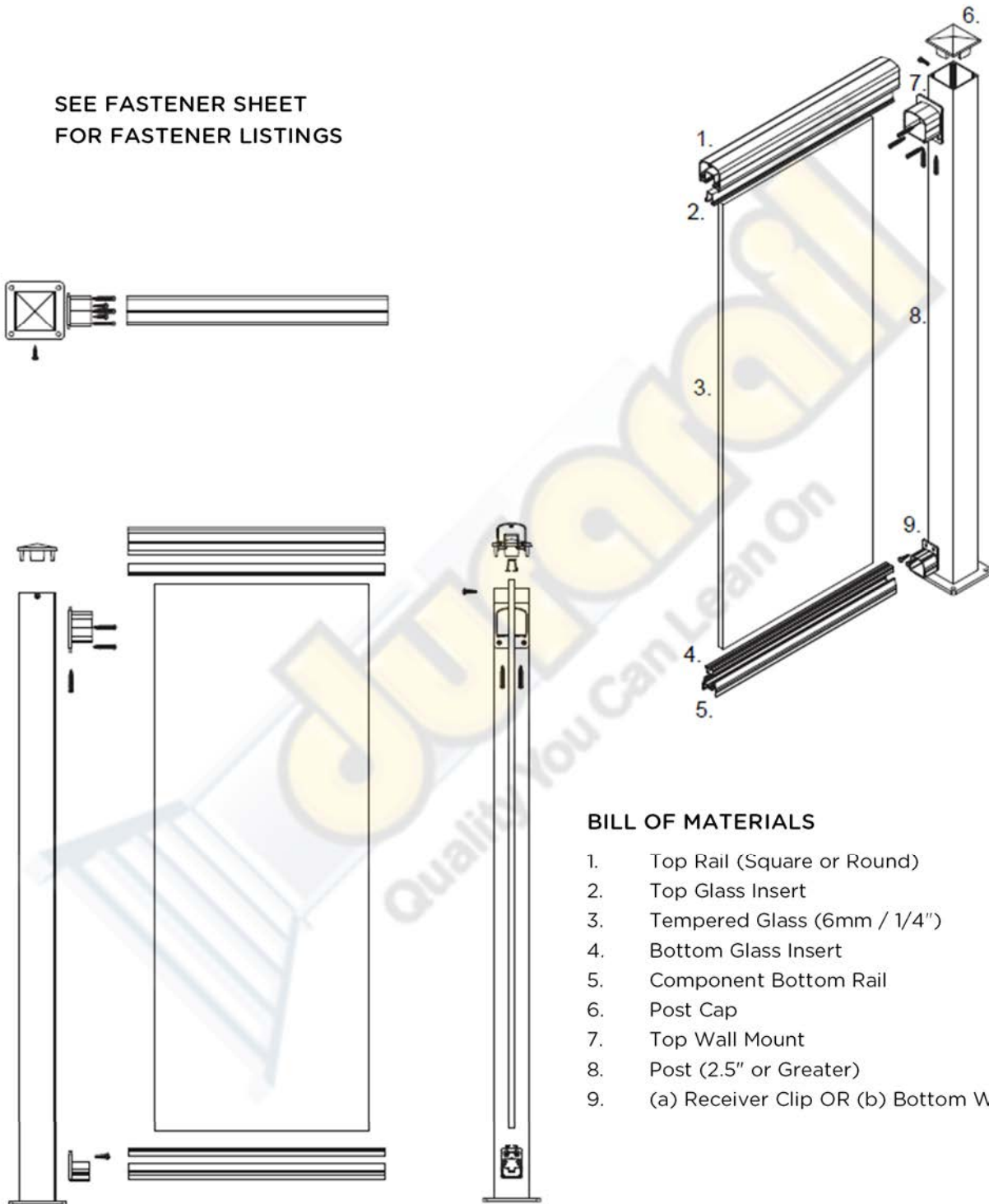


End Post with Non-Continuous Top Rail Detail – Component Glass

SEE FASTENER SHEET
FOR FASTENER LISTINGS



BILL OF MATERIALS

1. Top Rail (Square or Round)
2. Top Glass Insert
3. Tempered Glass (6mm / 1/4")
4. Bottom Glass Insert
5. Component Bottom Rail
6. Post Cap
7. Top Wall Mount
8. Post (2.5" or Greater)
9. (a) Receiver Clip OR (b) Bottom Wall Mount