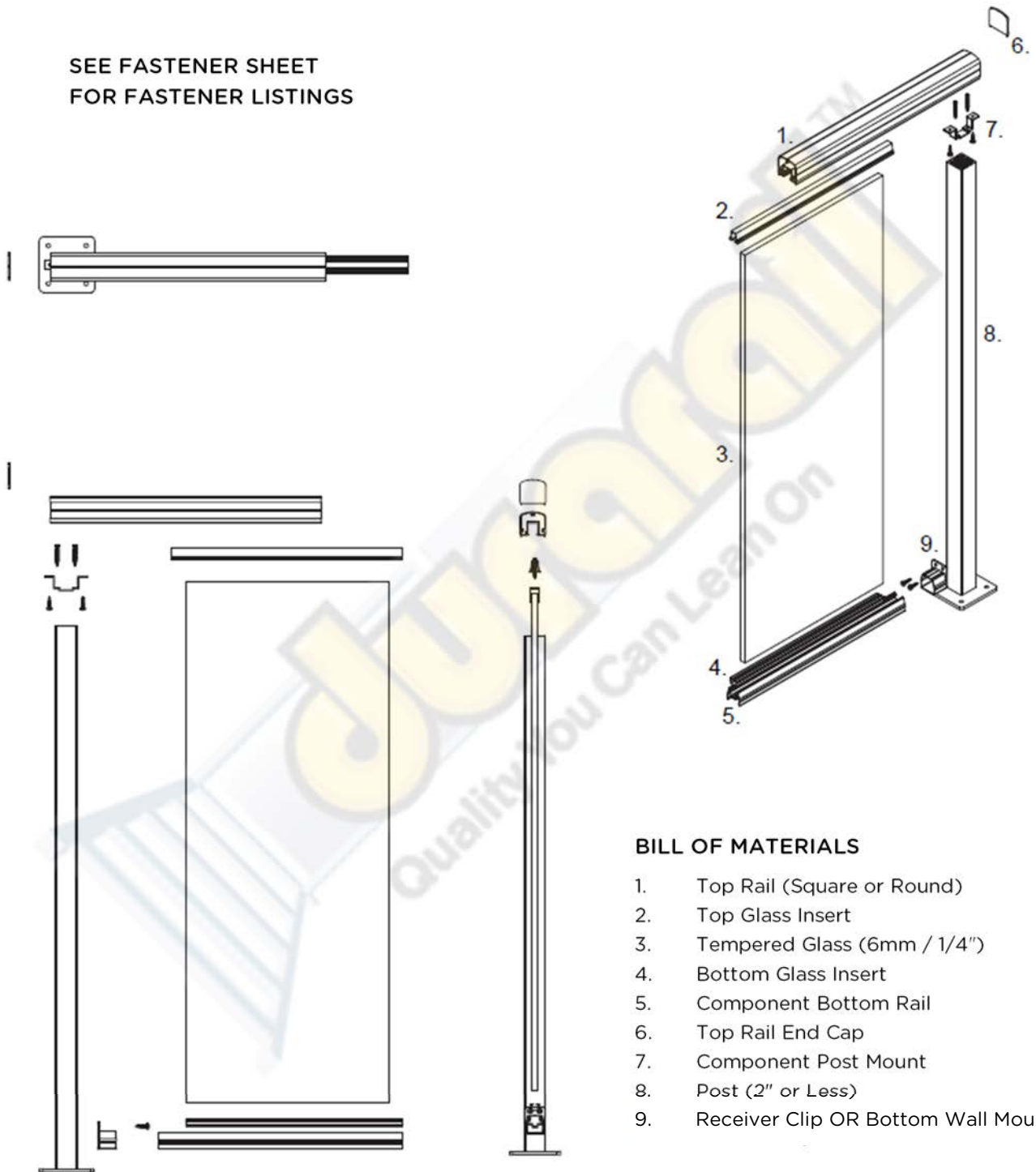


End Post with Continuous Top Rail and End Cap Detail – Component Glass

SEE FASTENER SHEET
FOR FASTENER LISTINGS



BILL OF MATERIALS

1. Top Rail (Square or Round)
2. Top Glass Insert
3. Tempered Glass (6mm / 1/4")
4. Bottom Glass Insert
5. Component Bottom Rail
6. Top Rail End Cap
7. Component Post Mount
8. Post (2" or Less)
9. Receiver Clip OR Bottom Wall Mount